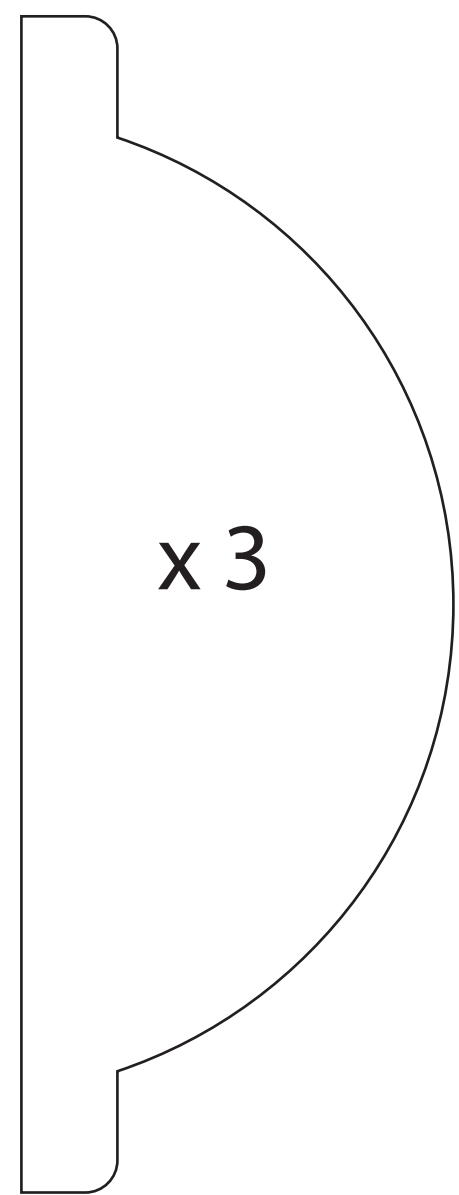
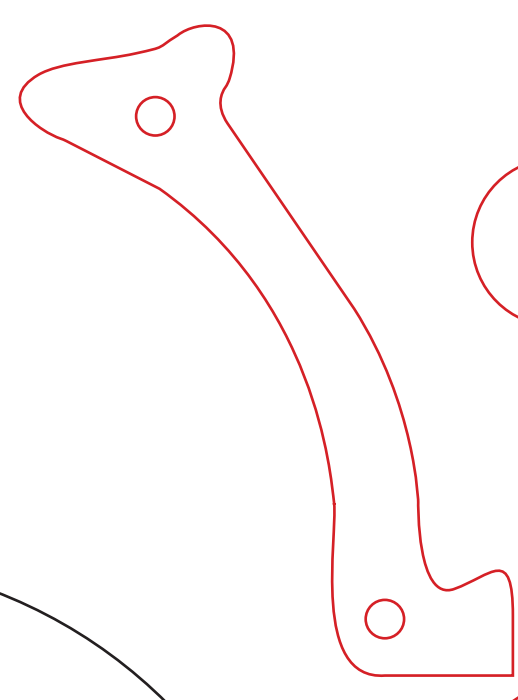
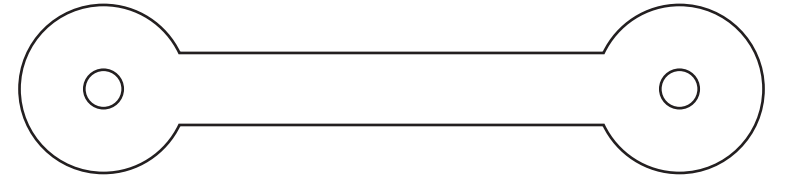
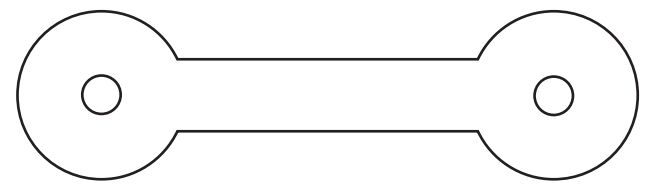
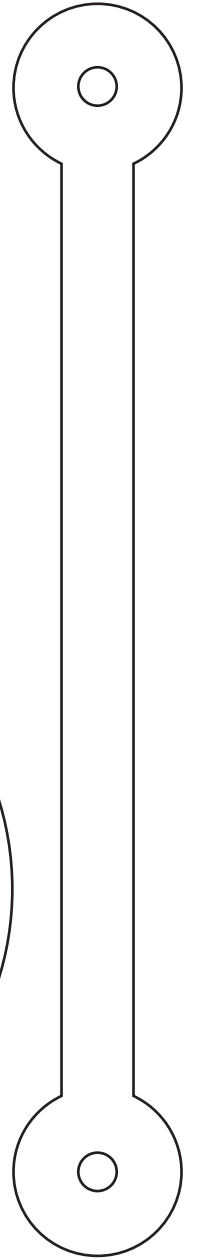
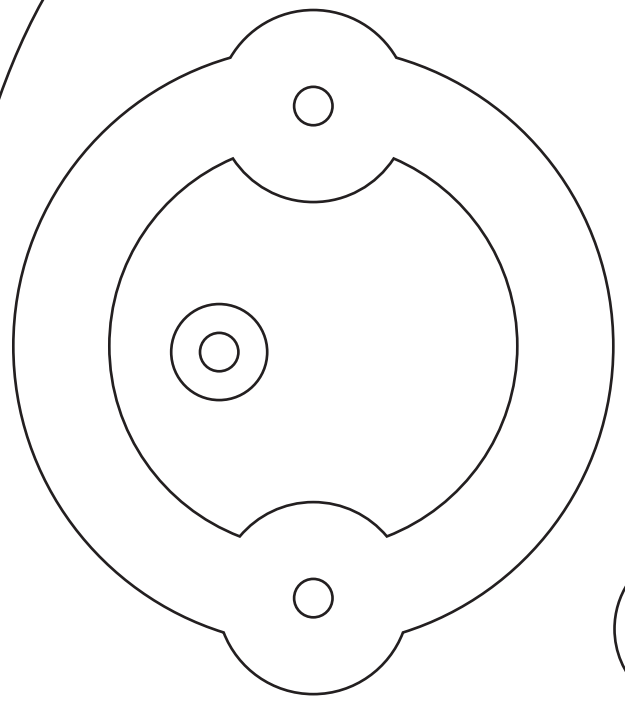
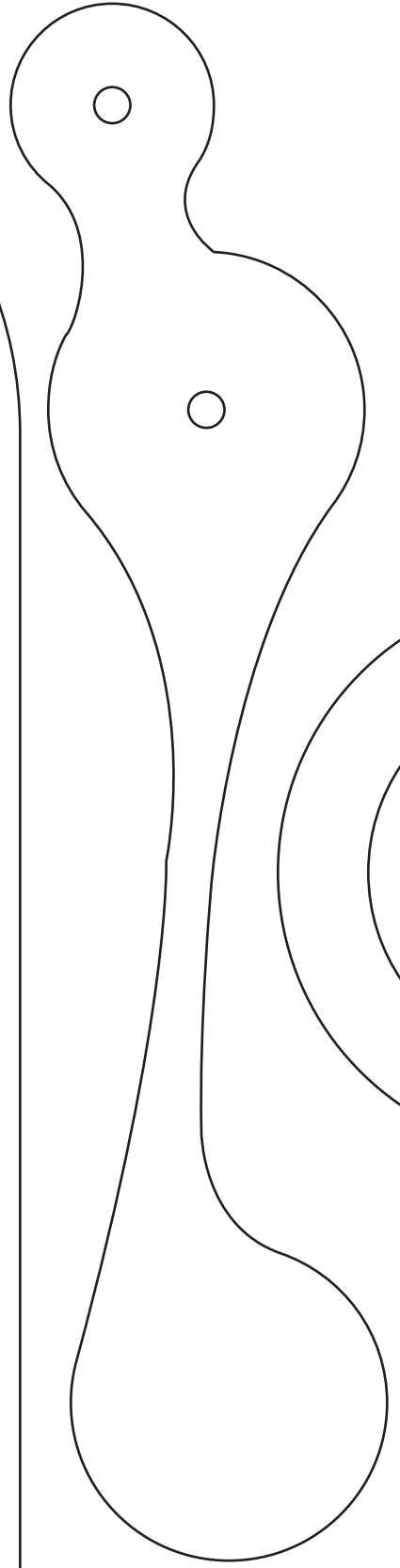
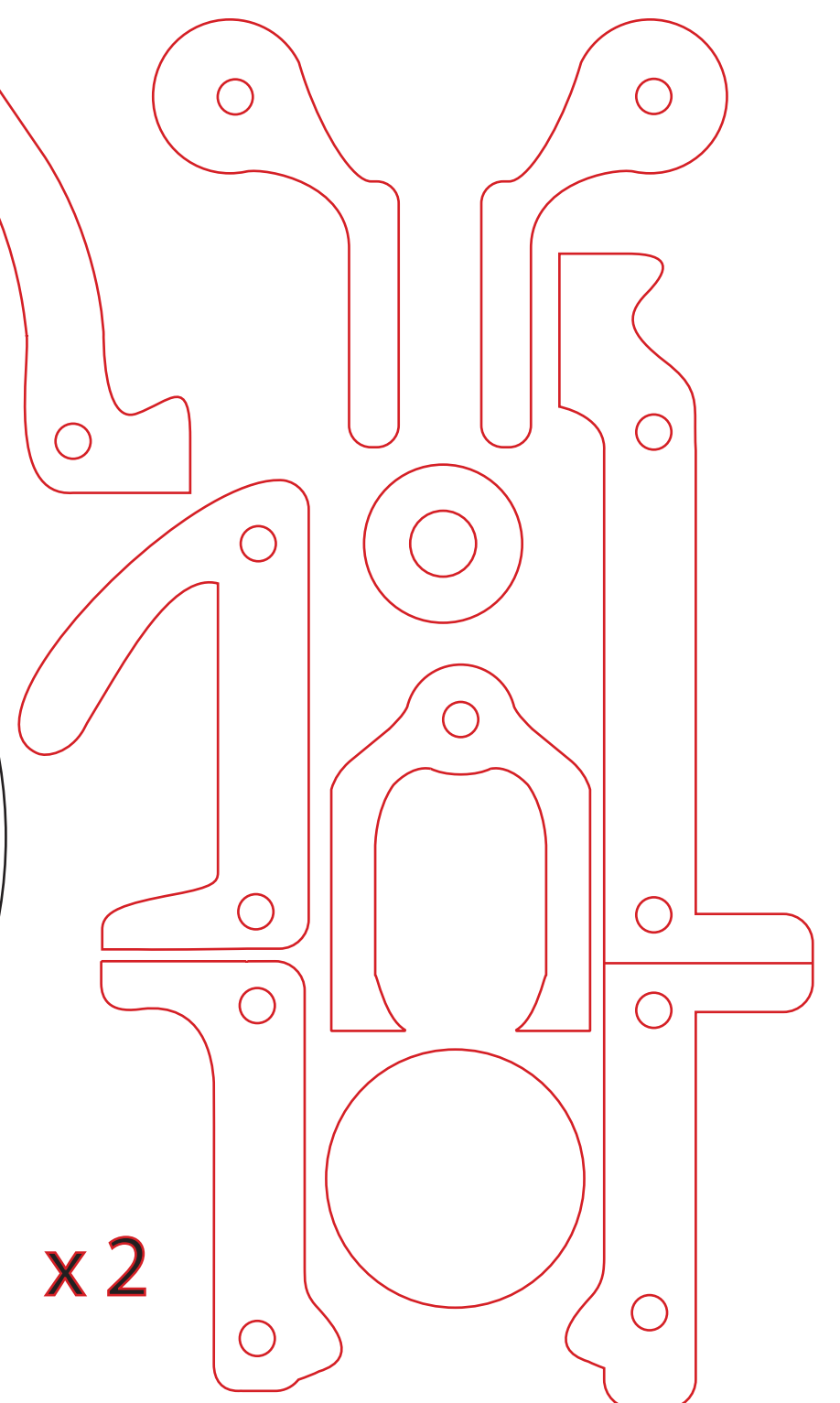




x 3



x 3



x 2